

PRODUCT CODE

SR-LENDCAP

PRODUCT DESCRIPTION

The SR-LENDCAP is an end-termination kit for Warmup's self-regulating cable range. It is specifically designed for pipe mounting and has a built-in signal light indicating the proper functioning of the system. This is to protrude outside of the pipe insulation layer and facilitate the maintenance work by signaling which cable runs may require inspection.

KIT CONTENTS

- End seal stand and light assembly
- Insulated parallel crimps
- End seal label
- Lead termination boot



SPECIFICATIONS

This kit may be installed at temperatures as low as -40°F (-40°C). For easier installation, store above freezing until just before installation.

The kit is rated for 85 to 277 VAC.

Make sure the voltage rating of light is the same as that of the heating circuit.

Approvals:



Classes: Class I, Division 2, Groups A, B, C, D

Class II, Division 2, Groups F, G

Class III; T5 or T6

Type 4X, IP65

TOOLS REQUIRED

- Wire cutters
- Utility knife
- Needle nose pliers
- Slotted screwdriver or nutdriver

INSTALLATION INSTRUCTIONS

1

- Allow approximately 24 in (60 cm) of heating cable for installation.
- Cut off heating cable end at about 45° for easier insertion.
- Apply lubricant for easier insertion into stand.

24 in (60 cm)
12 in (30 cm)
45°
Indentation (bus wire connection)

2

- Optional: If stand is to be installed on bottom side of pipe, knock out drain hole prior to inserting cable.
- Slide heating cable through stand.
- Square off cable with 90° cut.

12 in (30 cm)
Drain hole

3

2 1/4 in (57 mm)

- Measure exactly 2 1/4 in (57 mm).
- Lightly score outer jacket around and down as shown.
- Bend heating cable to break jacket at score; peel off jacket.
- Remove all exposed braid.

4

Do not cut bus wires

~ Measure exactly 1 3/8 in (35 mm)

~ Lightly score inner jacket around and down as shown

1 3/8 in 35 mm

~ Peel off jacket

~ Notch core

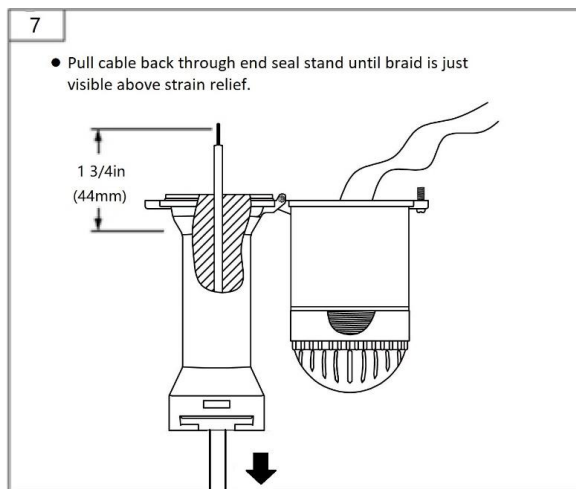
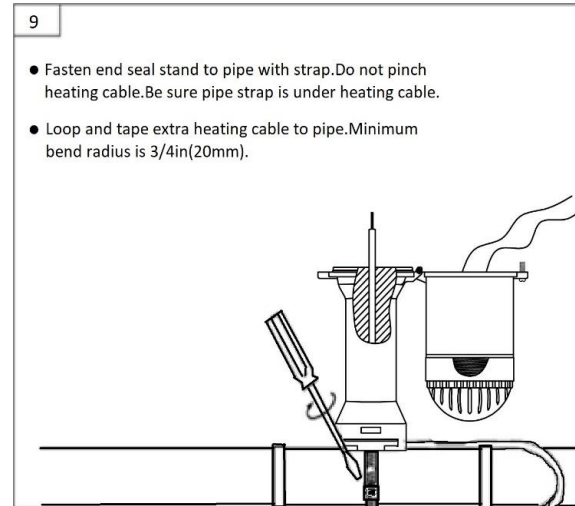
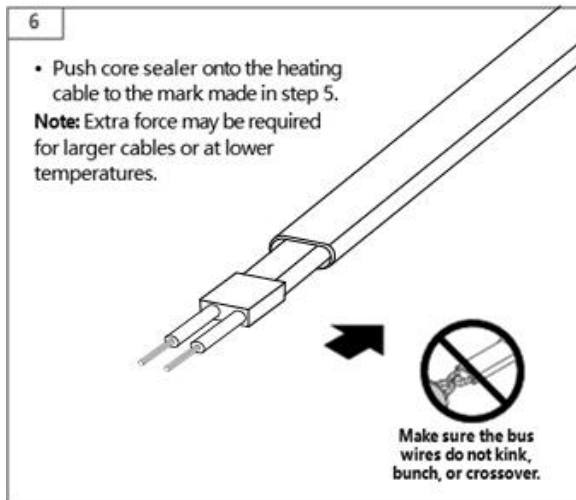
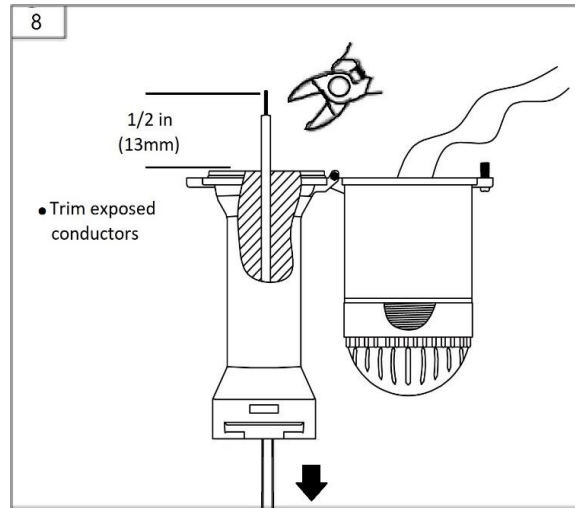
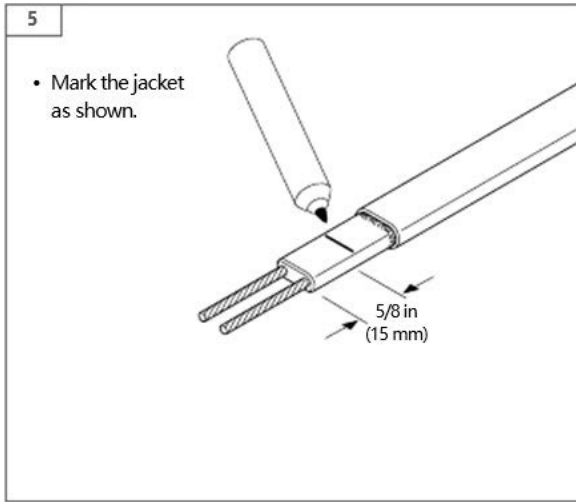
1/4 in 5 mm

~ Peel bus wire from core.

~ Score core between bus wires at inner jacket.

~ Bend and snap core.

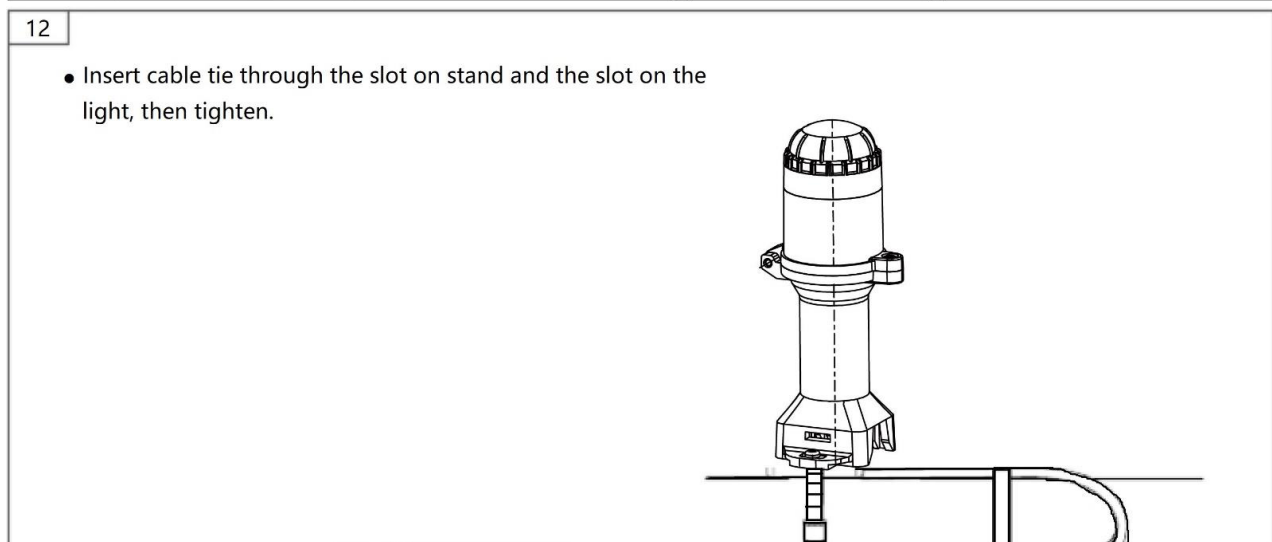
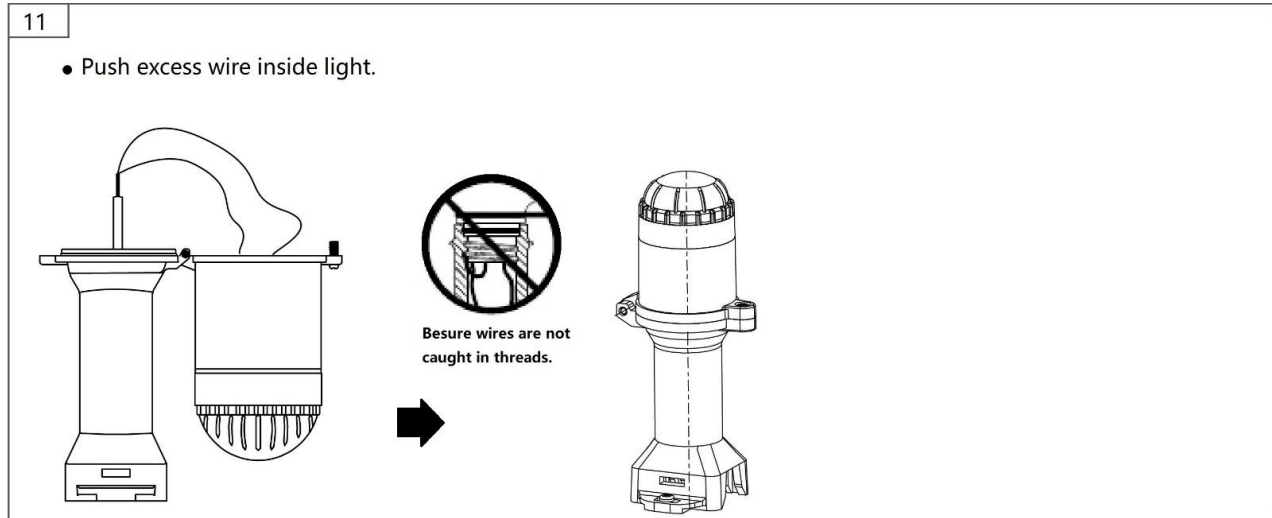
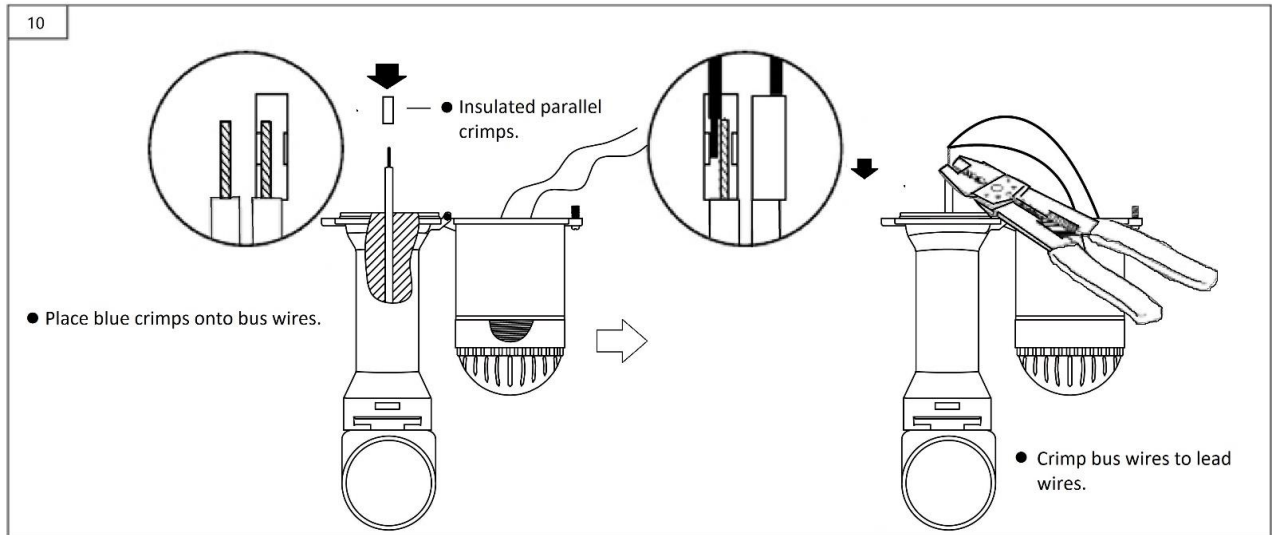
~ Peel core from bus wire.
~ Remove any remaining core material from bus wires.



WARNING: EXPLOSION HAZARD – SUBSTITUTION OF COMPONENTS MAY IMPAIR SUITABILITY FOR CLASS I, DIV. 2.
AVERTISSEMENT: RISQUE D'EXPLOSION - LA SUBSTITUTION DE COMPOSANTES POURRAIT NUIRE À SON UTILISATION POUR LA CLASS I, DIV. 2.

WARNING: THIS EQUIPMENT IS SUITABLE FOR USE IN CLASS I, DIV. 2, GROUPS (AS APPLICABLE) OR NON-HAZARDOUS LOCATIONS ONLY.
AVERTISSEMENT: CET ÉQUIPEMENT PEUT ÊTRE UTILISÉ UNIQUEMENT DANS DES GROUPES (LE CAS ÉCHÉANT) DE CLASSE I, DIV. 2 OU DANS DES ENDROITS NON HASARDEUX.

CAUTION: RISK OF ELECTRIC SHOCK-DISCONNECT THE ELECTRIC POWER BEFORE SERVICING.
ATTENTION: RISQUE DE CHOC ÉLECTRIQUE DEBRANCHER AVANT L'ENTRETIEN.



WARRANTY & MAINTENANCE

The SR-LENDCAP is warranted for 1 year against manufacturer's defects. See www.warmup.com for full warranty details.

TECHNICAL SUPPORT

Warmup is available 24/7/365 at (888) 927-6333 (US) (888) 592-7687 (CAN)

RELATED PRODUCTS

- SR-PIPE - see WSC-0930
- SPEEDFIT SPLICE - see WSC-2804
- SPEEDFIT-TEE - see WSC-0105